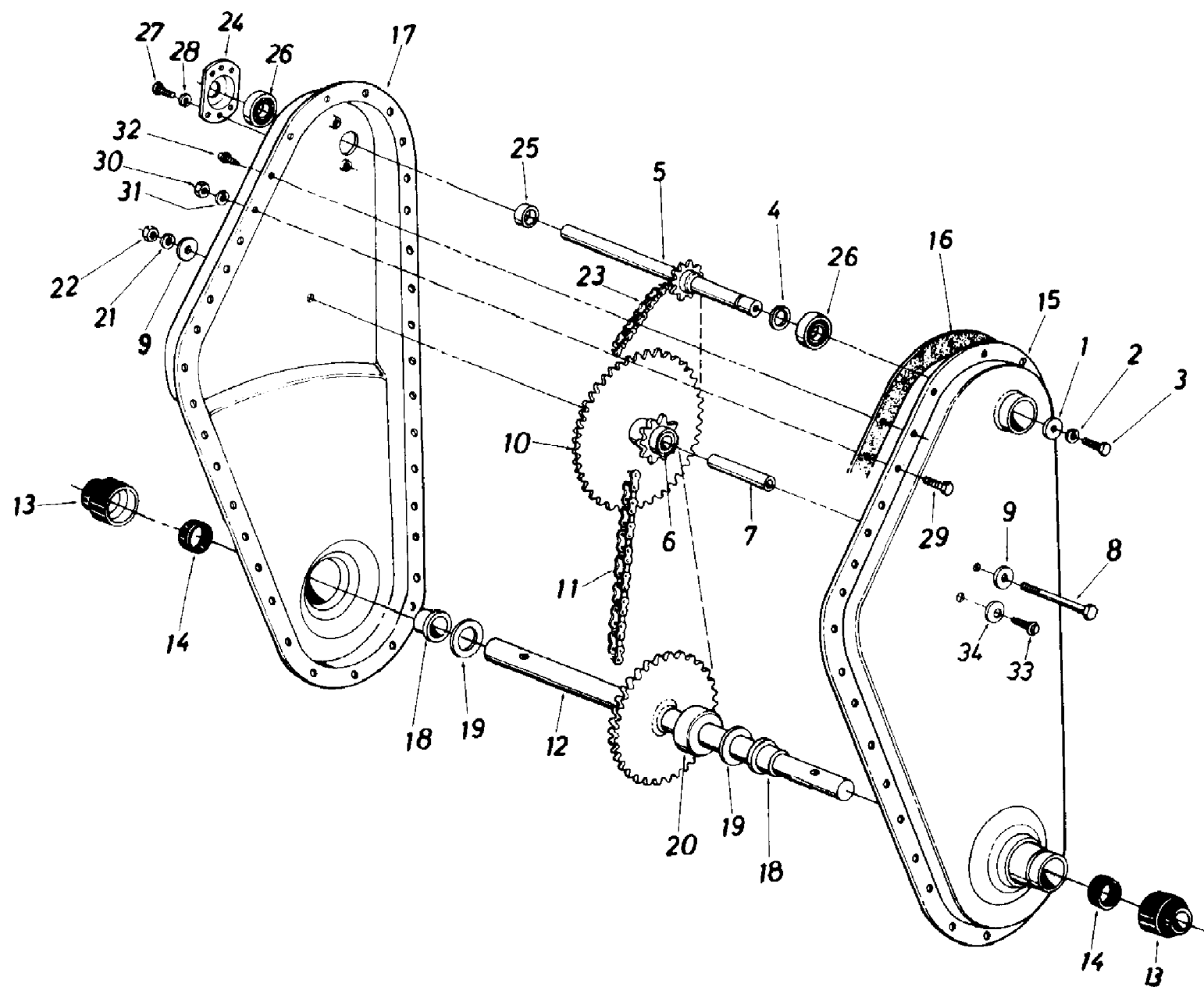


211-405-190 Roto Boss 550 (1991)
Chain Case (Tines) Assembly

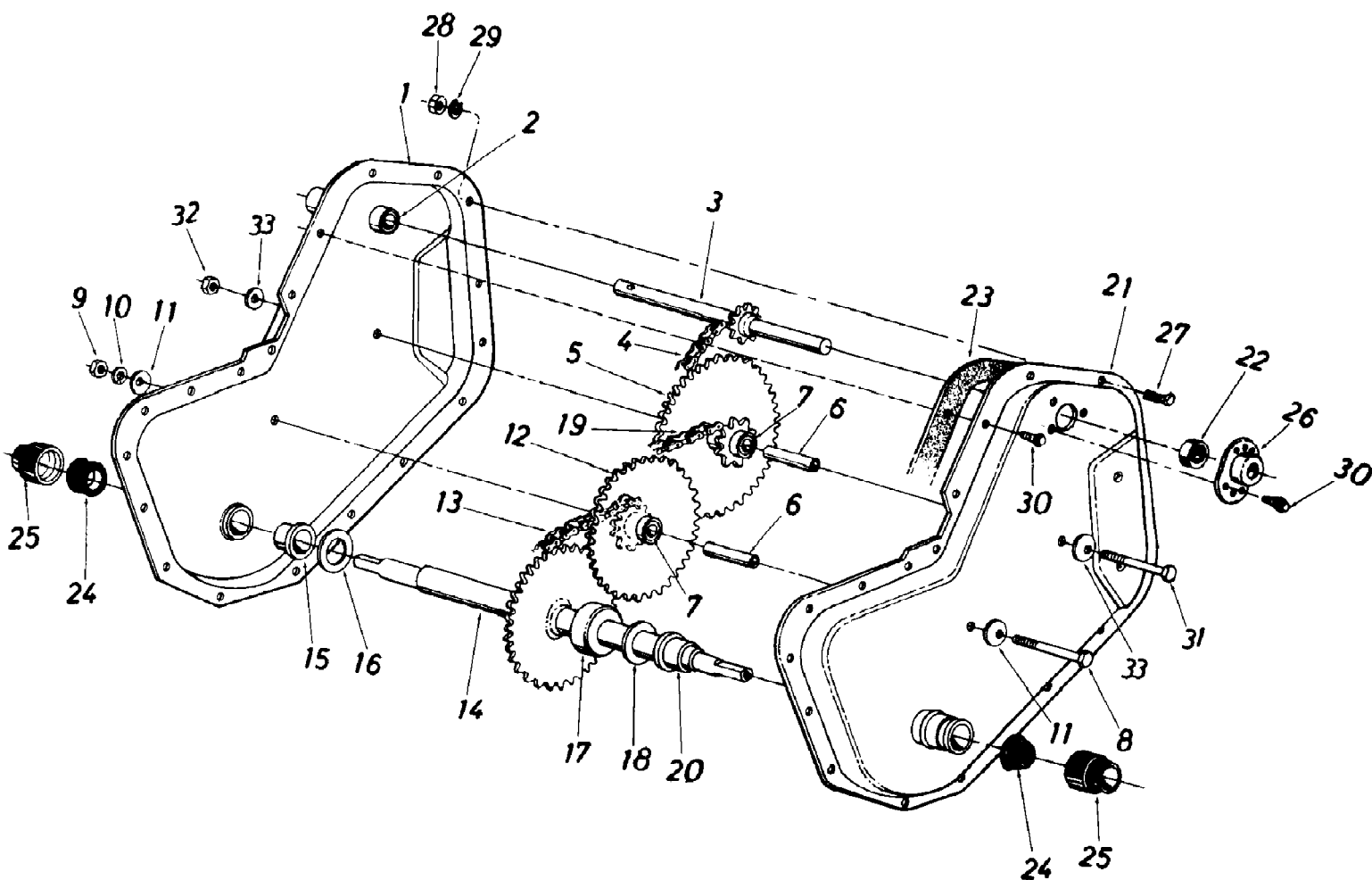


211-405-190 Roto Boss 550 (1991)
Chain Case (Tines) Assembly

Page 2 of 10

Ref #	Part Number	Qty	S/P/F	Description
1	736-0176	1	S	FI-Wash. 1/4" I.D. x .93" O.D. x .120
2	736-0329	1	S	L-Wash. 1/4" I.D."
3	710-0513	1		Hex Bolt 1/4-28 x .62" Lg. w/Patch
4	716-0131	1	S	External Snap Ring-5/8" Dia.
5	04956	1		Input Shaft Ass'y.
6	741-0304	1		Bearing 5/8" I.D. x 3/4" O.D. x 1.860" Lg.
7	750-0275	1		Sprocket Hub Tubing 3/8" I.D. x 5/8" O.D. x 1.90
8	710-0629	1		Hex Bolt 3/8-24 x 2.75" Lg.
9	736-0258	1	/P	FI-Wash. 3/8" I.D. x 1.25" O.D. x .10
10	713-0331	1	S	Sprocket Ass'y.
11	713-0328	1	S	#50 Chain 5/8" Pitch x 46 0 Links Endless
12	14986	1		Tine Shaft Ass'y.
13	731-0487	1	S	Dust Cup
14	721-0175	1	S	Seal Ring Single Lip, Springless
15	14984	1	S	Ass'y. Tiller Housing-R.H.
16	721-0170	1		Gasket
17	14985	1		Ass'y. Tiller Housing-L.H.
18	731-0374	1	S	Flange Brg. 1.00" I.D.
19	736-0163	1	S	FI-Thrust Wash. 1.0" I.D. x .030 Thk.
20	750-0570	1	S	Step Spacer
21	736-0169	1	S	L-Wash. 3/8" I.D.
22	712-0711	1	/P	Hex Nut 3/8-24 Thd.*
23	713-0327	1	S	#35 Chain 3/8" Pitch x 52 Links Endless
24	05034	1	S	Bearing Housing 1.38" I.D.
25	750-0471	1	S	Spacer
26	741-0155	1	S	Ball Bearing .625" I.D. x 1.38" O.D. x .437
27	710-0599	1	/P	Hex Wash. SF-Tap Scr. 1/4-20 x .50" Lg.
28	736-0329	1	S	L-Wash. 1/4" I.D.
29	710-0118	1	S	Hex Bolt 5/16-18 x .75" Lg.
30	712-0267	1	S	Hex Nut 5/16-18 Thd.
31	736-0119	1	S	L-Wash. 5/16" I.D.*
32	710-0599	1	/P	Hex Wash. SF-Tap Scr. 1/4-20 x .50" Lg.
33	710-0653	1	/P	Hex Wash. Hd. Tap Scr. 1/4-20 x .38" Lg.
34	736-0270	1	/P	Bell-Wash. .265" I.D. x .75" O.D.
	737-0133	1	S	Grease-Plastilube #0 0 (12 oz.)

211-405-190 Roto Boss 550 (1991)
Chain Case (Wheels) Assembly

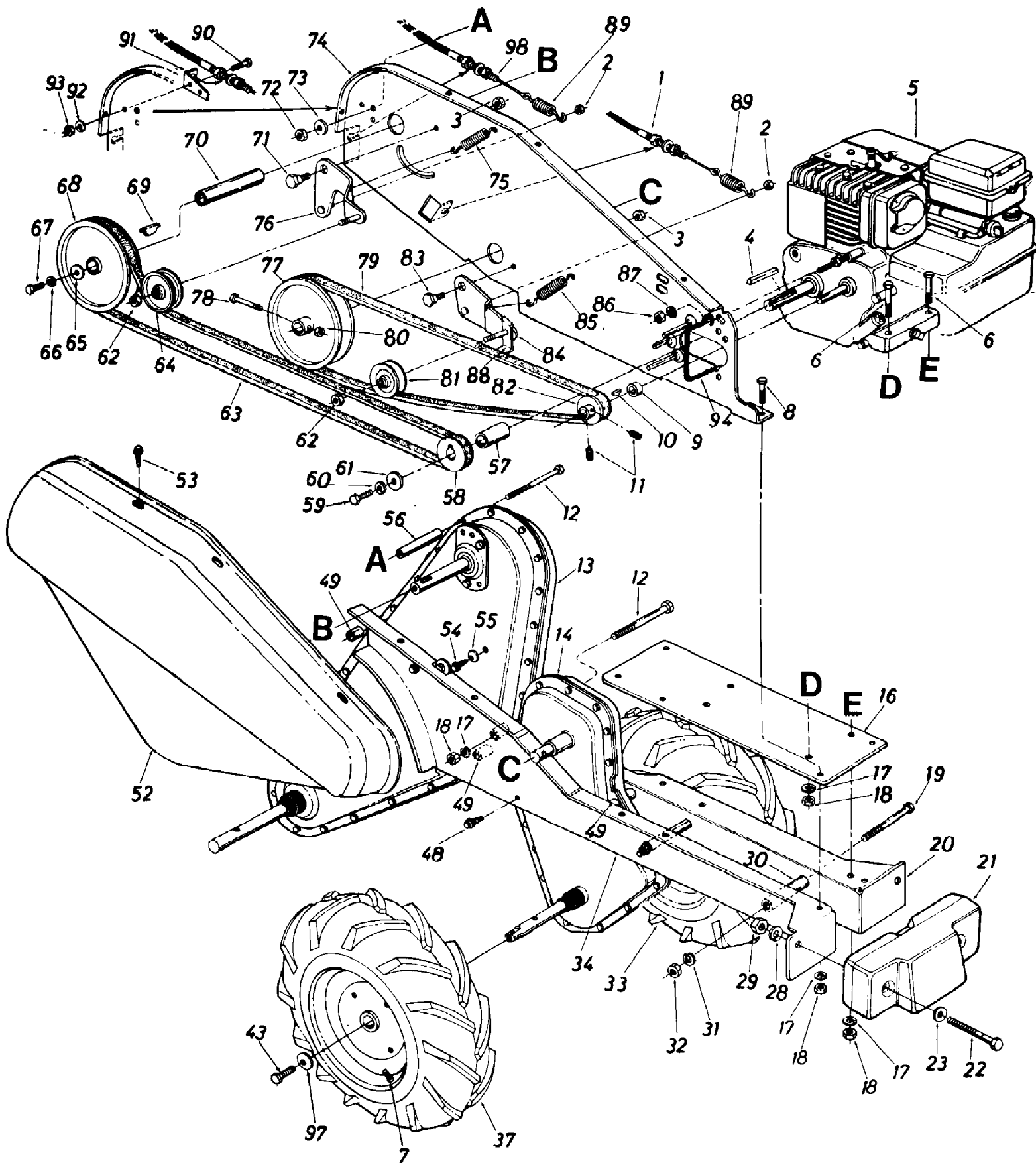


211-405-190 Roto Boss 550 (1991)
Chain Case (Wheels) Assembly

Page 4 of 10

Ref #	Part Number	Qty	S/P/F	Description
1	14962	1		Chain Case Half Ass'y.-R.H.
2	748-0154	1		Bearing 5/81" I.D. x .813 0 O.D. x 1.31" Lg.
3	14960	1		Input Shaft Ass'y.
4	713-0325	1	S	Chain #35-3/8" Pitch x 44 Links
5	713-0316	1		Sprocket and Hub Ass'y.
6	750-0351	1		Bearing Inner Axle
7	741-0228	1	S	Sleeve Brg. 5/8" I.D. x 3/4" O.D. x 1.50
8	710-0369	1	/P	Hex Bolt 3/8-24 x 2.50" Lg.*
9	712-0116	1	S	Hex Ins. L-Nut 3/8-24 Thd.
10	736-0169	1	S	L-Wash. 3/8" I.D.*
11	736-0219	1	S	Bell-Wash. .41" I.D. x 1.13 0 O.D. x .03
12	713-0330	1		Sprocket & Hub Ass'y. 9T-22T
13	713-0326	1	S	#420 Chain 1/2 Pitch x 28 0 Links Endless
14	784-0126A	1		Wheel Shaft Ass'y.
15	741-0227	1		Flange Bearing
16	736-0265	1	/P	FI-Wash. .88" I.D. x 1.5" O.D. x .03
17	750-0354A	1	/P	Spacer 7/8" I.D. x 13/4" O.D. x .68" Lg.
18	736-0265	1	/P	FI-Wash. .88" I.D. x 1.50" O.D. x .03
19	713-0267	1		#420 Chain 1/2" Pitch x 30 0 Links Endless
20	741-0227	1		Flange Bearing
21	15797	1		Chain Case Half Ass'y.-L.H.
22	741-0155	1	S	Bearing
23	721-0156	1	S	Gasket
24	721-0157	1		Seal
25	731-0486	1		Dust Cup
26	05034	1	S	Bearing Housing
27	710-0195	1	S	Hex Bolt 1/4-28 x 5/8" Lg.
28	712-0138	1	S	Hex Nut 1/4-28 Thd.
29	736-0329	1	S	L-Wash. 1/4" I.D.*
30	710-0599	1	/P	Hex Wash. S-Tap Scr. 1/4-20 x .50" Lg.
31	710-0378	1	/P	Hex Bolt 5/16-18 x 2.5" Lg.
32	712-0158	1	S	Hex Cent. L-Nut 5/16-18 Thd.
33	736-0159	1	S	FI-Wash. 5/16" I.D.
	737-0133	1	S	Grease-Plastilube #0 (10 oz.)
	16976	1		Chain Case Ass'y. Comp.

211-405-190 Roto Boss 550 (1991)
Drive Assembly



211-405-190 Roto Boss 550 (1991)
Drive Assembly

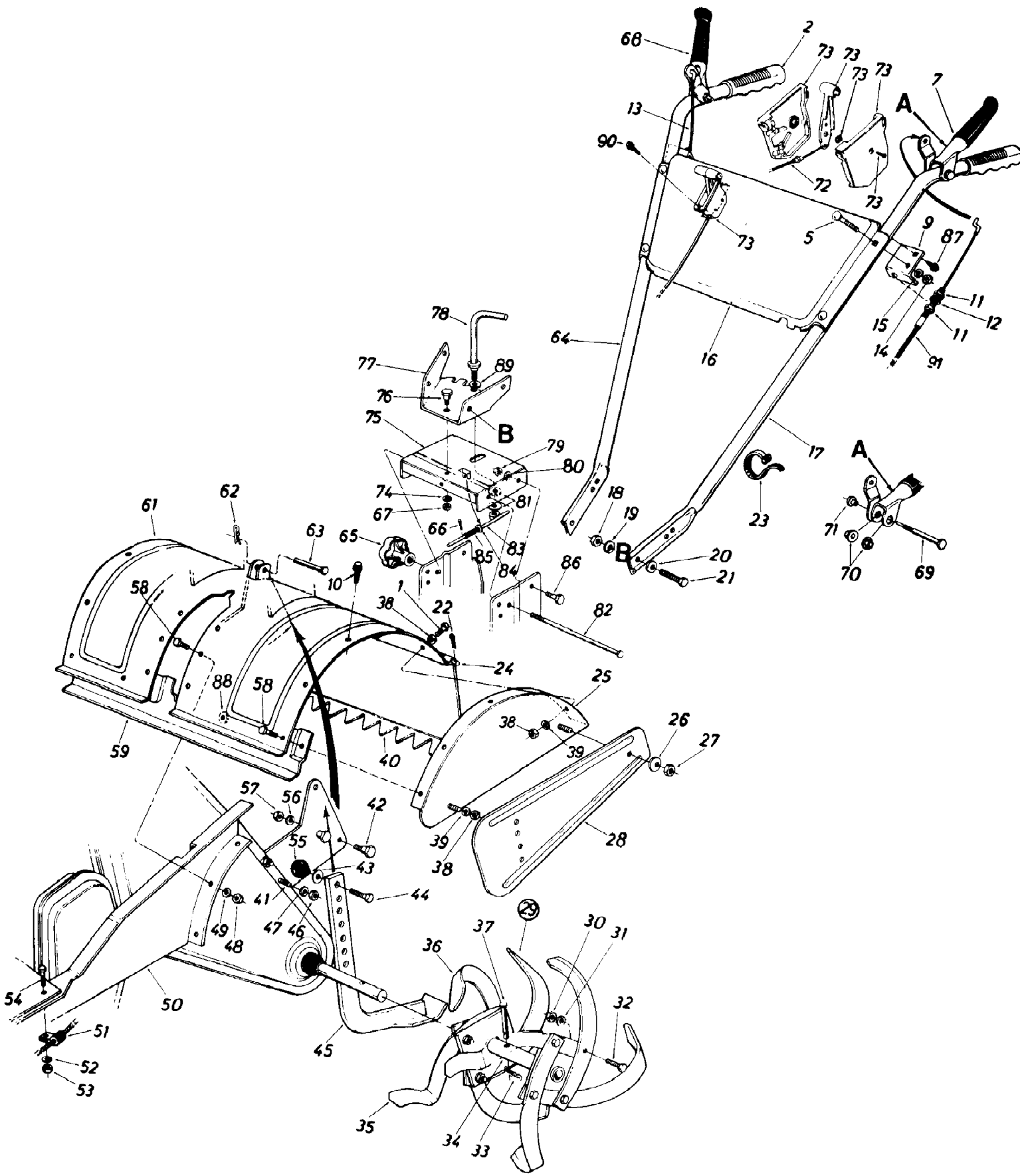
Page 6 of 10

Ref #	Part Number	Qty	S/P/F	Description
1	746-0484	1	S	Clutch Control Cable (Wheels)
2	712-0107	1	S	Hex Cent. L-Nut 1/4-20 Thd.
3	712-0266	1	S	Hex Cent. L-Nut 3/8-16 Thd.
4	714-0122	1	S	Sq. Key 3116" Dia. x .75
5		1		Engine
6	710-0442	1	S	Hex Bolt 5/16-18 x 1.50" Lg.
7	734-0255	1	S	Air Valve
8	710-0118	1	S	Hex Bolt 5/16-18 x .75" Lg.
9	711-0494	1		Spacer .51" I.D. x 314" O.D. x.39" Lg.
10	714-0131	1		Hi-Pro Key #5 Woodruff
11	710-0938	1		Set Scr. 1/4-28 x .25" Lg.
12	710-0189	1	/P	Hex Bolt 5/16-18 x 3.0" Lg.
13	14981	1		Chain Case Ass'y. Comp.- 0 Tines
14	14963	1		Chain Case Ass'y. Comp.- 0 Wheels
16	14973483	1		Engine Mounting Plate
17	736-0119	1	S	L-Wash. 5/16" I.D.*
18	712-0267	1	S	Hex Nut 5/16-18 Thd.
19	710-0830	1		Hex Bolt 3/8-24 x 3.0" Lg.
20	14975	1		Frame Rail-L.H.
21	723-0340	1		Counter Weight
22	710-0786	1	/P	Hex Bolt 1/2-13 x 4.0" Lg.*
23	736-0326	1	S	FI-Wash. 1/2" I.D. x 1.0" O.D.
28	736-0921	1	S	L-Wash. 1/2" I.D.
29	712-0206	1	S	Hex Nut 1/2-13 Thd.*
30	750-0579	1		Spacer 318" I.D. x 518" O.D. x2.18" Lg.
31	736-0169	1	S	L-Wash. 318" I.D.*
32	712-0241	1	/P	Hex Nut 3/8-24 Thd.*
33	734-1377	1		Comp. Wheel Ass'y.-L.H.
	734-1376	1		Rim Ass'y.
	734-1154	1	S	Tire Only
34	14974	1		Frame Rail-R.H.
37	734-1378	1		Comp. Wheel Ass'y.-R.H.
	734-1376	1		Rim Ass'y.
	734-1154	1	S	Tire Only
43	710-0237	1	/P	Hex Bolt 5/16-24 x .62" Lg.
48	710-0600	1	/P	Hex Wash. Self-Tap Scr. 5/16-24 x .50" Lg.
49	750-0470	1		Spacer 5116" I.D. x 16 Ga. x.96" Lg.
52	14980A629	1		Belt Cover
53	710-0599	1	/P	Hex Wash. S-Tap Scr. 1/4-20 x.50" Lg.
54	710-0653	1	/P	Hex Wash. S-Tap Scr. 1/4-20 x 318" Lg.
55	736-0270	1	/P	Bell-Wash. 1/4" I.D.
56	750-0219	1		Spacer 3/8" I.D. x 1/2" O.D. x 2.0" Lg.
57	750-0442	1		Spacer 3/4" I.D. x 1.12" O.D. x 1.56" Lg.
58	756-0396	1		1/2" "V"-4L Pulley 3/4" I.D. x 2.59" O.D.
59	710-0117	1	S	Hex Bolt 5/16-24 x 1.0" Lg.
60	736-0119	1	S	L-Wash. 5/16" I.D.*
61	736-0343	1	/P	FI-Wash. 5/16" I.D. x 1.25" O.D.
62	712-0116	1	S	Hex L-Nut 3/8-24 Thd.
63	754-0195A	1	S	"V"-Belt
64	756-0405	1	/P	FI-Idler Pulley 3.75" O.D. x 3/8" I.D.
65	736-0176	1	S	FI-Wash. .25" I.D. x .93" O.D. x .120
66	736-0329	1	S	L-Wash. 1/4" I.D.
67	710-0412	1		Hex Bolt 5/16-18 x .75" Lg.*

211-405-190 Roto Boss 550 (1991)
Drive Assembly

Page 7 of 10

Ref #	Part Number	Qty	S/P/F	Description
68	756-0389A	1	/P	Split Pulley 6" Dia. x 5/8" I.D.
69	714-0388	1	S	Hi-Pro Key
70	750-0472	1		Spacer
71	738-0183	1	S	Shld. Bolt 1/2" Dia. x .210" Lg.
72	712-0267	1	S	Hex Nut 5/16-18 Thd.
73	736-0119	1	S	L-Wash. 5/16" I.D.
74	14991	1		Side Plate Ass'y.
75	732-0445	1	/P	Ext. Spring .50" O.D. x 1.55" Lg.
76	14971-483	1		Idler Bracket Ass'y.-Tines
77	756-0387A	1		Pulley 6" Dia. x 5/8" I.D.
78	710-0698	1	/P	Hex Bolt 1/4-28 x 1.50" Lg.
79	754-0109	1	S	"V"-Belt
80	712-0117	1	S	Hex Cent. L-Nut 1/4-28 Thd.
81	756-0166	1	S	"V"-Idler Pulley 2-5/8" O.D.
82	756-0386A	1		1/2" "V"-Pulley 2 1/4" O.D. x .50" I.D.
83	738-0147	1		Shld. Bolt 1/2" Dia. x .160" Lg.
84	14969	1		Idler Bracket Ass'y-Wheels
85	732-0445	1	/P	Ext. Spring .50" O.D. x 1.55" Lg.
86	712-0287	1	S	Hex Nut 1/4-20 Thd.
87	736-0270	1	/P	Bell-Wash. 1/4" I.D.
88	15399	1		Belt Keeper Ass'y.
89	732-0387	1		Ext. Spring
90	710-0118	1	S	Hex Bolt 5/16-18 x .75"*
91	15093C	1	/P	Clutch Cable Brkt.
92	736-0119	1	S	Lock Washer 5/16" I.D.
93	712-0267	1	S	Hex Nut 5/16-18 Thd.
94	747-0507	1		Belt Keeper
97	736-0242	1	/P	Bell-Wash. 5/16" I.D.
98	746-0535	1	S	Clutch Control Cable (Tines)



211-405-190 Roto Boss 550 (1991)
Frame Assembly

Page 9 of 10

Ref #	Part Number	Qty	S/P/F	Description
1	710-0528	1	/P	Hex Bolt 5/16-18 x 1 1/4" Lg.
2	720-0180	1	S	Grip
5	710-0458	1	/P	Carr. Bolt 5/16-18 x 1.75"
7	784-0031	1		Clutch Grip Ass'y.-L.H. (Tines)
9	15093C	1	/P	Clutch Cable Bracket
10	710-0607	1	/P	Hex Wash. S-Tap Scr. 5/16-18 x .62" Lg.
11	712-0256	1	/P	Hex Nut 5/16-24 Thd.
12	736-0119	1	S	L-Wash. 5/16" I.D.
13	746-0484	1	S	Wheel Drive Cable
14	712-0267	1	S	Hex Nut 5/16-18 Thd.
15	736-0119	1	S	L-Wash. 5/16" I.D.
16	784-0036A	1		Handle Panel
17	749-0637	1		Handle-L.H.
18	712-0798	1	/P	Hex Nut 3/8-16 Thd.
19	736-0169	1	S	L-Wash. 3/8" I.D.*
20	736-0105	1	/P	Bell-Wash. 3/8" I.D.
21	710-0253	1	S	Hex Bolt 3/8-16 x 1.00" Lg.
22	714-0507	1	S	Cotter Pin 3/32" Dia. x 3/4"
23	725-0157	1	/P	Cable Tie
24	747-0432	1		Tiller Flap Rod
25	14989	1		End Cover Ass'y.-L.H.
	14990	1		End Cover Ass'y.-R.H. (Not Shown)
26	736-0242	1	/P	Beli-Wash. 5/16" I.D.
27	712-0267	1	S	Hex Nut 5/16-18 Thd.
28	15390483	1		Side Shield
29	15397	1	S	L.H. Tine Ass'y. Comp.
	15398	1		R.H. Tine Ass'y. Comp. (Not Shown)
30	712-0241	1	/P	Hex Nut 3/8-24 Thd.
31	736-0169	1	S	L-Wash. 3/8" I.D.
32	710-0191	1	/P	Hex Bolt 3/8-24 x 1.25" Lg.
33	714-0149	1	S	Hairpin Cotter
34	14978	1		Tine Adapter Ass'y.
35	742-0106	1	S	Tine 12" R.H.
36	742-0105	1		Tine 12" L.H.
37	711-0415	1	S	Clevis Pin 3/8" Dia.
38	712-0267	1	S	Hex Nut 5/16-18 Thd.
39	736-0119	1	S	L-Wash. 5/16" I.D.
40	14979	1	S	Tine Shield Flap
41	710-0736	1		Hex Bolt 5/16-18 x 1.0" Lg.
42	738-0507B	1	S	Shld. Bolt 1/2" Dia. x .426"
43	736-0117	1	S	FI-Wash. 3/8" I.D. x 5/8" O.D.
44	710-0216	1	/P	Hex Bolt 3/8-16 x 3/4" Lg.
45	14992	1	S	Depth Bar Ass'y.
46	712-0267	1	S	Hex Nut 5/16-18 Thd.
47	736-0119	1	S	L-Wash. 5/16" I.D.*
48	712-0267	1	S	Hex Nut 5/16-18 Thd.
49	736-0119	1	S	L-Wash. 5/16" I.D.
50	14975483	1		Frame Rail-L.H.
51	726-0175	1	/P	Clamp 5/16" Dia.
52	736-0119	1	S	L-Wash. 5/16" I.D.
53	712-0267	1	S	Hex Nut 5/16-18 Thd.
54	710-0118	1	S	Hex Bolt 5/16-18 x 3/4" Lg.
55	720-0165	1		Hex Bolt 5/16-18 x 1/2" Dia.

211-405-190 Roto Boss 550 (1991)
Frame Assembly

Page 10 of 10

Ref #	Part Number	Qty	S/P/F	Description
56	736-0169	1	S	L-Wash. 3/8" I.D.
57	712-0798	1	/P	Hex Nut 3/8-16 Thd.
58	710-0118	1	S	Hex Bolt 5/16-18 x .75" Lg.
59	15393	1		Brkt. Reinforcement
61	784-0026	1		Tine Shield Ass'y.
62	714-0149	1	S	Hairpin Cotter
63	711-0415	1	S	Clevis Pin 3/8" Dia.
64	749-0762	1		Handle-R.H.
65	720-0195	1		Hand Knob
66	714-0127	1	/P	Cotter Pin 1/16" Dia. x .75" Lg.
67	712-0375	1	/P	Hex Cent. L-Nut 3/8-16 Thd.
68	784-0270	1		Clutch Grip Ass'y.-R.H. (Wheels)
69	738-0560	1	S	Shoulder Bolt .38" Dia. x 1.53" Lg.
70	741-0402	1	S	Hex Flange Plastic Bearing
71	738-0561	1	S	Shoulder Nut 1/4-20 Thd.
72	746-0502	1	S	ThroKle Control Wire
73	831-0823A	1	/P	Throttle Control Box Ass'y.
74	736-0219	1	S	Bell-Wash. .40" I.D.
75	784-0022	1		Handle Pivot Bracket
76	738-0281	1	S	Shoulder Bolt
77	784-0019	1		Handle Mtg. Bracket
78	784-0025	1		Adj. Handle Ass'y.
79	712-0375	1	/P	Hex Cent. L-Nut 3/8-16 Thd.
80	736-0105	1	/P	Bell-Wash. .40" I.D. x .88" O.D.
81	736-0253	1	S	Bell-Wash. 1/2" I.D. x 1.00" O.D.
82	711-0765	1		Lock Pin 5/16" Dia. x 8"
83	784-0023	1		Lower Sliding Ass'y.
84	736-0463	1	S	FI-Wash. .291" I.D. x .62" O.D.
85	732-0145	1	/P	Compression Spring .36" O.D. x 1.00" Lg.
86	738-0147	1		Shoulder Bolt 1/2" Dia. x .170" Lg.
87	710-0599	1	/P	Hex Wash. S-Tap Scr. 1/4-20 x.50" Lg.
88	736-0242	1	/P	Bell-Wash. 5/16" I.D.
89	736-0285	1	/P	FI-Wash. 5/8" I.D.
90	710-0779A	1	/P	Self-Tap Scr. #10 x 1/2" Lg.
91	746-0535	1	S	Tine Control Cable